

MAN 4158523  
Rev. A 4-2007



MODELS:

75-70625  
SLIP SCOOP 44" SS244

75-70630  
SLIP SCOOP 48" SS248



**OP/PARTS MANUAL**

**CALIFORNIA**

**Proposition 65 Warning**

Diesel engine exhaust and some of its constituents are known to the State of California to cause cancer, birth defects and other reproductive harm.

**⚠ WARNING**

The engine exhaust from this product contains chemicals known to the State of California to cause cancer, birth defects or other reproductive harm.

**Californie Proposition 65 Avertissement**

Les échappements des moteurs diesel et certains de leurs composés sont reconnus par l'Etat de Californie pour être cancérigènes, provoquer des défauts congénitaux et d'autres dangers en matière de reproduction.

**⚠ AVERTISSEMENT**

L'émission du moteur de ce matériel contient des produits chimiques que l'Etat de Californie considère être cancérigènes, provoquer des défauts congénitaux et d'autres dangers en matière de reproduction.

**California Advertencia de la Proposicion 65**

El estado de California hace saber que los gases de escape de los motores diesel y algunos de sus componentes producen cáncer, defectos de nacimiento y otros daños en el proceso de reproducción humana.

**⚠ ADVERTENCIA**

El estado de California hace saber que los gases de escape de este producto contienen productos químicos que producen cáncer, defectos de nacimiento y otros daños en el proceso de reproducción humana.

**CALIFORNIA**

**Proposition 65 Warning**

Battery posts, terminals, wiring insulation, and related accessories contain lead and lead compounds, chemicals known to the State of California to cause cancer and birth defects or other reproductive harm.

**WASH HANDS AFTER HANDLING.**

# SLIP SCOOP

## IMPORTANT MESSAGE

Thank you for purchasing this Schiller Grounds Care, Inc. product. You have purchased a world class product, one of the best designed and built anywhere.

This product comes with an Owner/Operator's Manual / Illustrated Parts List. The useful life and good service you receive from this product depends to a large extent on how well you read and understand this manual. Treat this product properly and adjust it as instructed, and it will give you many years of reliable service.

See a Schiller Grounds Care, Inc. dealer for any service or parts needed. Schiller Grounds Care, Inc. service ensures that you continue to receive the best results possible from Schiller Grounds Care, Inc. products. You can trust Schiller Grounds Care, Inc. replacement parts because they are manufactured with the same high precision and quality as the original parts.

Schiller Grounds Care, Inc. designs and builds its equipment to serve many years in a safe and productive manner. For longest life, use this product only as directed in the manual, keep it in good repair and follow safety warnings and instructions. You'll always be glad you did.

**Schiller Grounds Care, Inc.**  
**One Bob Cat Lane**  
**Johnson Creek, WI 53038-0469**

<b>TABLE OF CONTENTS</b>	<b>FIGURES</b>	<b>PAGE</b>
DESCRIPTION/SPECIFICATIONS .....		2
SAFETY .....		3, 4
ASSEMBLY INSTRUCTIONS .....		5
INSTALLATION/OPERATION.....		6
PARTS SECTION .....		7
HYDRAULIC SLIP SCOOP PARTS .....	FIGURE 1 .....	8, 9

# DESCRIPTION/SPECIFICATIONS

---

---

---

# SLIP SCOOP

## DESCRIPTION

The Slip Scoop attachment mounts on the quick hitch front lift of the power unit. On or off in a minute or less, it is a quick, inexpensive way to relocate loose materials. Use it for landscaping, light excavating and many tasks where you would normally use a wheelbarrow. Twin hydraulic cylinders control the bucket position on hydraulic operated slip scoops.

## SPECIFICATIONS

Model	75-70625	75-70630
Overall width:.....	48"	52"
Overall height:.....	16"	16"
Overall length:.....	33"	33"
Width of bucket:.....	44"	48"
Bucket Capacity:.....	3.25 cubic ft.	3.5 cubic ft.
Dumping:.....	Hydraulic	Hydraulic
Weight.....	135 lbs.	170 lbs.

**NOTE:** Specifications are subject to change without notice.



## NOTICE !!!

Unauthorized modifications may present **extreme** safety hazards to operators and bystanders and could also result in product damage.

Schiller Grounds Care, Inc. strongly warns against, rejects and disclaims any modifications, add-on accessories or product alterations that are not designed, developed, tested and approved by Schiller Grounds Care, Inc. Engineering Department. Any Schiller Grounds Care, Inc. product that is altered, modified or changed in any manner not specifically authorized after original manufacture—including the addition of “after-market” accessories or component parts not specifically approved by Schiller Grounds Care, Inc.—will result in the Schiller Grounds Care, Inc. Warranty being voided.

Any and all liability for personal injury and/or property damage caused by any unauthorized modifications, add-on accessories or products not approved by Schiller Grounds Care, Inc. will be considered the responsibility of the individual(s) or company designing and/or making such changes. Schiller Grounds Care, Inc. will vigorously pursue full indemnification and costs from any party responsible for such unauthorized post-manufacture modifications and/or accessories should personal injury and/or property damage result.



This symbol means:  
**ATTENTION!**  
**BECOME ALERT!**

Your safety and the safety of others is involved.

## Signal word definitions:

The signal words below are used to identify levels of hazard seriousness. These words appear in this manual and on the safety labels attached to Schiller Grounds Care, Inc. machines. For your safety and the safety of others, read and follow the information given with these signal words and/or the symbol shown above.

### **DANGER**

**DANGER** indicates an imminently hazardous situation which, if not avoided, **WILL** result in death or serious injury.

### **WARNING**

**WARNING** indicates a potentially hazardous situation which, if not avoided, **COULD** result in death or serious injury.

### **CAUTION**

**CAUTION** indicates a potentially hazardous situation which, if not avoided, **MAY** result in minor or moderate injury. It may also be used to alert against unsafe practices or property damage.

### **CAUTION**

**CAUTION** used without the safety alert symbol indicates a potentially hazardous situation which, if not avoided, **MAY** result in property damage



Model                      Serial Number

SCHILLER GROUNDS CARE, INC.  
One Bob – Cat Lane  
Johnson Creek, WI 53038

**MODEL NUMBER:** This number appears on sales literature, technical manuals and price lists.

**SERIAL NUMBER:** This number appears only on your unit. It contains the model number followed consecutively by the serial number. Use this number when ordering parts or seeking warranty information.

## GENERAL SAFETY

1. Read and understand the Owner's Manual before attempting to operate this machine.
2. Operate all controls from the operator's seat. **NO RIDERS.**
3. Keep all shields in place and safety switches adjusted properly.
4. Do not leave equipment unattended. STOP the engine and remove the key.
5. Do not allow minors or the inexperienced to operate this machine.
6. Keep people and pets a safe distance away from machine using power driven attachments. Injury could result from flying debris.

## OPERATING SAFETY

1. Do not attempt to work on unit or any attachments with engine running. STOP ENGINE!
2. WARNING! The tractor may coast when the engine stops.
3. Before leaving the tractor seat:
  - **Set Parking brake.**
  - **Stop Engine.**

### CAUTION

**CARRY LOADS LOW AND AVOID HIGH SPEEDS OR QUICK, SHARP TURNS. A REAR WEIGHT BAR SHOULD BE ADDED WITH WEIGHT EQUAL TO THE SCOOP LOAD.**

## Refer to Pages 8 & 9 for Parts Identification

### Assembly Instructions 75-70625

1. Unfasten the bucket (Fig. 1, Item 16) and the sub-frame (Fig. 1, Item 15) from the sides of the crate and remove.
2. Remove the hardware package from the crate and open.
3. Loosen all ball joints prior to connecting them to the bucket.
4. Place the bucket between the frame arms so that the holes at the ends of the arms line up with the lower set of holes on each side of the bucket.
5. Insert a 5/8 X 2-1/2 bolt (Fig. 1, Item 19) through the end of each arm and place three 5/8 flat washers (Fig. 1, Item 12) on each bolt. Insert the bolts through the lower holes on each side of the bucket. Place a 5/8 lockwasher (Fig. 1, Item 17) and 5/8 nut (Fig. 1, Item 18) on each bolt and tighten.
6. Insert a 5/8 X 2-3/4 bolt (Fig. 1, Item 3) through the rod end of each cylinder (Fig. 1, Item 4) and place a bushing (Fig. 1, Item 5) on each bolt. Insert the bolts through the upper holes on each side of the bucket. Place a 5/8 lockwasher (Fig. 1, Item 17) and a 5/8 nut (Fig. 1, Item 18) on each bolt and tighten.

### Assembly Instructions 75-70630

1. Unfasten the bucket (Fig. 1, Item 16) and the sub-frame (Fig. 1, Item 15) from the sides of the crate and remove.
2. Remove the hardware package from the crate and open.
3. Loosen all ball joints prior to connecting them to the bucket.
4. Place the bucket between the frame arms so that the holes at the ends of the arms line up with the lower set of holes on each side of the bucket.
5. Insert a 5/8 X 2-3/4 bolt (Fig. 1, Item 3) through the lower hole on each side of the bucket. (Through the outer bracket only.) Insert bolts through the end of each arm and place one bushing (Fig. 1, Item 5) on each bolt. Push the bolts through the bucket. Place a 5/8 stover locknut (Fig. 1, Item 18) on each bolt and tighten.
6. Insert a 5/8 X 2-3/4 bolt (Fig. 1, Item 3) through the upper hole on each side of the bucket. (Through the outer bracket only.) Insert bolts through the rod end of each cylinder (Fig. 1, Item 4) and place a bushing (Fig. 1, Item 5) on each bolt. Push the bolts through the bucket. Place a 5/8 stover locknut (Fig. 1, Item 18) on each bolt and tighten.

## HYDRAULIC SLIP SCOOP INSTALLATION

1. Attach the slip scoop to the front lift.
2. Attach the hydraulic hoses to the auxiliary couplers. Route the hoses in a place where they will not be damaged. If the hydraulic lever movement seems backward, reverse the hoses at the quick couplers..

## HYDRAULIC SLIP SCOOP OPERATION

1. Use "Low" (1) range for operating scoop.
2. Level the scoop, for loading materials, by moving the auxiliary hydraulic lever. To dig into the surface, the front edge of the scoop must be lower than the rear.
3. When the scoop is loaded, move the auxiliary hydraulic lever to roll back the scoop to contain the load.
4. To dump the load, move the auxiliary hydraulic lever.

**NOTE:** A rear weight bar is recommended to use with the Slip Scoop. Add weights equal to the load carried in the scoop. Remove weights when the Slip Scoop is removed.

## HINTS FOR OPERATION OF HYDRAULIC SLIP SCOOP

- A. Use "FLOAT" position for loading loose materials on a firm surface.
- B. Use DOWN PRESSURE to dig into firm surfaces.
- C. To level loose materials, roll the bucket to the extreme dump position. Lower the scoop and move backward to get a back blade leveling effect. Use a little down pressure.

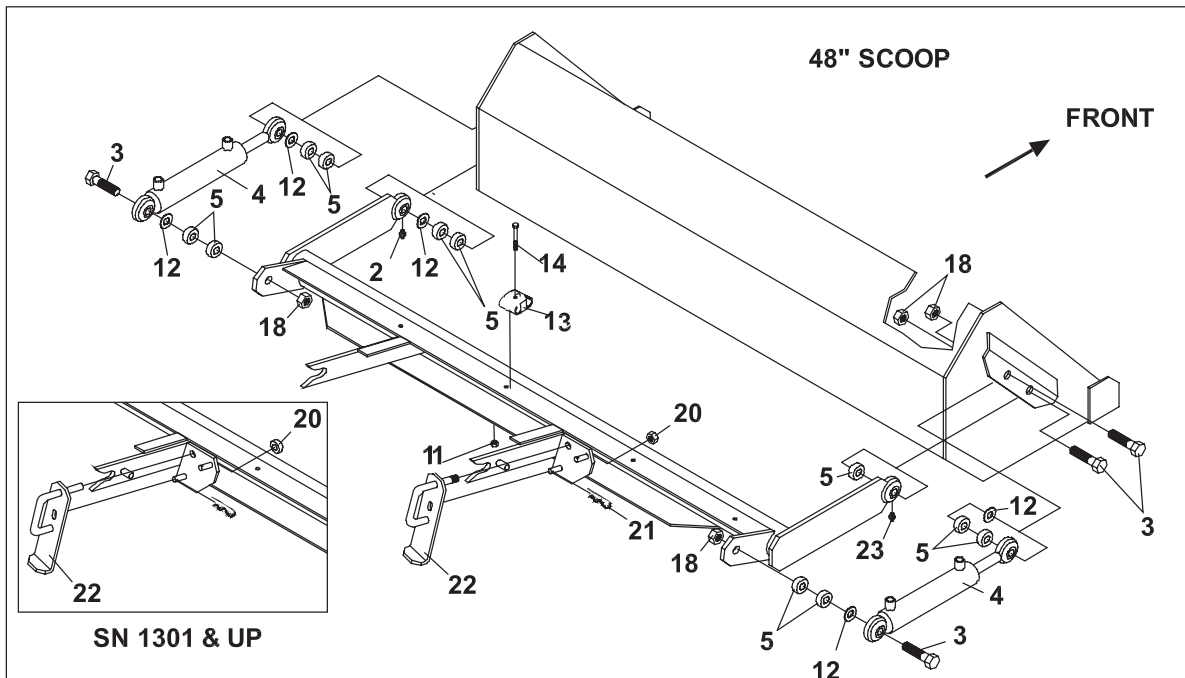
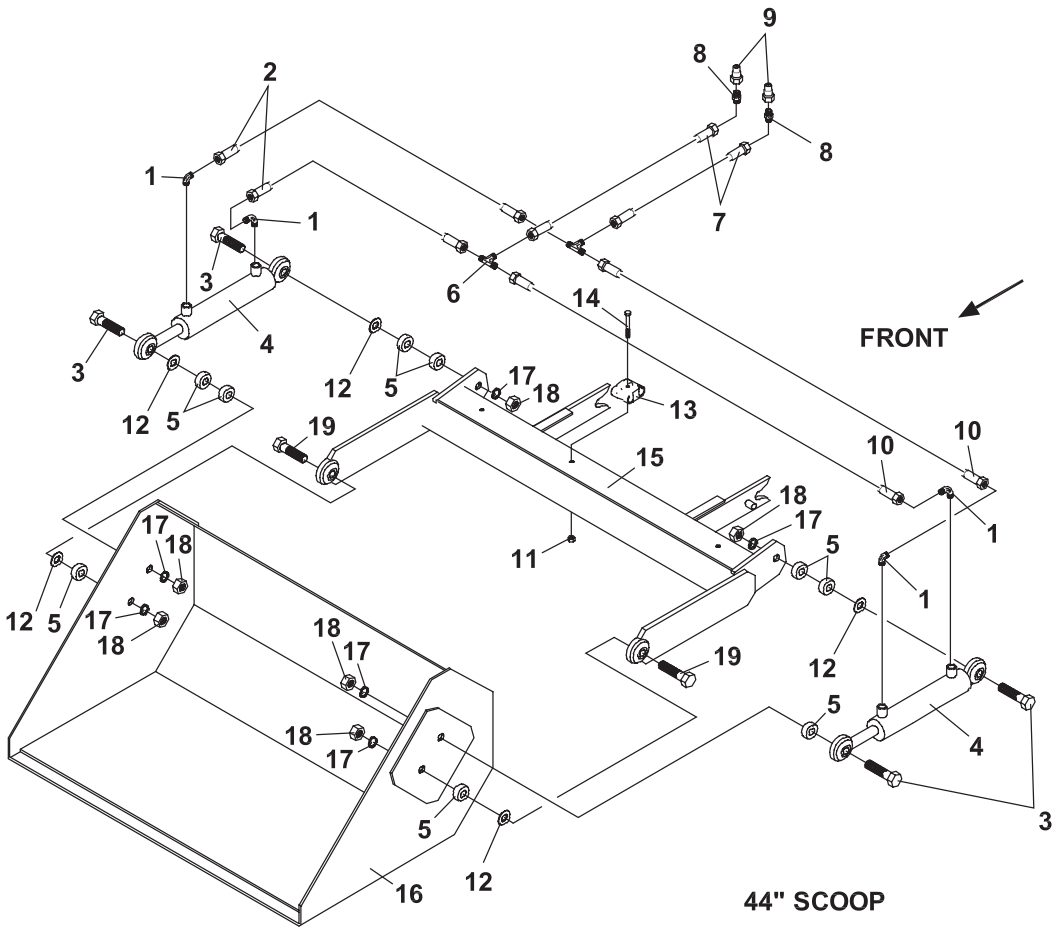


# **PARTS SECTION**

# HYDRAULIC SLIP SCOOP PARTS

# SLIP SCOOP

FIGURE 1



# SLIP SCOOP

# HYDRAULIC SLIP SCOOP PARTS

## FIGURE 1

ITEM	PART NO.	DESCRIPTION	QTY	ITEM	PART NO.	DESCRIPTION	QTY
1-1	25-2103-4-6	FITTING-90 DEG.	4	1-18	64025-21	NUT-HEX 5/8-11 (USED ON 44" ONLY)	6
1-2	20-217	HOSE-1/4 X 20 (USED ON 44" ONLY)	2		99-A10	LOCKNUT-5/8 STOVER (USED ON 48" ONLY)	6
	20-027	HOSE-1/4 (USED ON 48" ONLY)	2	1-19	90-1020	BOLT-5/8 X 2-1/2 (USED ON 44" ONLY)	2
1-3	90-1022	BOLT-5/8 X 2-3/4 (USE QTY 4 ON 44") (USE QTY 6 ON 48")		1-20	43067A	COLLAR, SET, PLATE (USED ON 48" ONLY)	1
1-4	23-058	CYLINDER-1-1/2 X 5	2	1-21	02-PP0313	PRESTO PIN-3/32 X 1-5/8 (USED ON 48" ONLY)	1
	21-0A009066	SEAL KIT-CYLINDER	1	1-22	64-986	KICKSTAND-(SN 1001-1300) (USED ON 44" ONLY)	1
1-5	64163-12	.635/.640X1.0X.25 WASH (USE QTY 10 ON 44") (USE QTY 12 ON 48")			64-999.7	KICKSTAND-(SN 1301 & UP) (USED ON 48" ONLY)	1
1-6	25-033T-6-6	FITTING-TEE	2	1-23	85010N	GREASE FITTING (USED ON 48" ONLY)	2
1-7	20-074	HOSE-1/4 X 31	2	*	4116761	DECAL-MADE IN THE USA	1
1-8	25-0103-4-6	FITTING	2	*	4158620	DECAL-STEINER	1
1-9	23-004	QUICK COUPLER-MALE	2	<b>*NOT ILLUSTRATED</b>			
1-10	20-029	HOSE-1/4 (USED ON 44" ONLY)	2				
	20-022	HOSE-1/4 (USED ON 48" ONLY)	2				
1-11	64229-01	NUT-NYON LOCK 1/4-20 (USE QTY 3 ON 44") (USE QTY 4 ON 48")					
1-12	64163-93	WASHER	6				
1-13	4165751	CLAMP-HOSE 1/2 (USE QTY 3 ON 44") (USE QTY 4 ON 48")					
1-14	64123-07	BLT-HEX 1/4-20 X 1-1/2 (USE QTY 3 ON 44") (USE QTY 4 ON 48")					
1-15	62-734.7	FRAME (USED ON 44" ONLY)	1				
	64-985.7	FRAME (USED ON 48" ONLY)	1				
1-16	62-735.17	BUCKET (USED ON 44" ONLY)	1				
	64-984.17	BUCKET (USED ON 48" ONLY)	1				
1-17	64006-04	LOCKWSHR-HELICAL 5/8 (USED ON 44" ONLY)	6				

**SCHILLER GROUNDS CARE, INC.**  
**ONE BOB-CAT LANE**  
**P.O. BOX 469**  
**JOHNSON CREEK, WI 53038**  
**920-699-2000**  
**[www.schillergc.com](http://www.schillergc.com)**



©Schiller Grounds Care, Inc. 2010